



## DL-R/-W SERIES Digital Dynamometer



### Features

- Powder coated aluminium housing
- Selectable weighing units
- Galvanised high tension shackles
- Remote control
- Peak hold
- -W versions with wireless (70m range) connection to remote hand held display, printer, second display or PC.

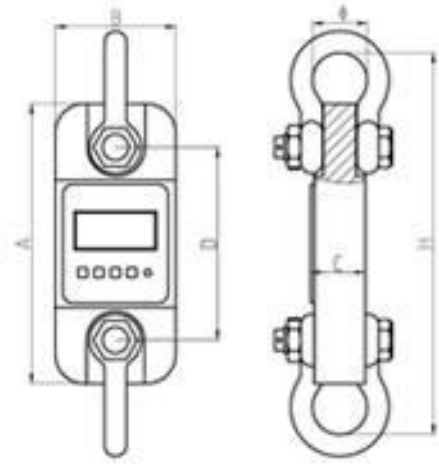
### Specifications

MODEL	CAPACITY kg	DIVISION kg	OVERALL HEIGHT mm	WEIGHT kg
DL-R-1	1000	0.5	335	3
DL-R-3	3000	1	365	5
DL-R-5	5000	2	405	5
DL-W-1	1000	0.5	335	3
DL-W-3	3000	1	365	5
DL-W-5	5000	2	405	5



## DL-R/-W SERIES

### Specifications



MODEL	A mm	B mm	C mm	D mm	Φ mm	H mm
DL-R-1	245	112	37	190	43	335
DL-R-3	260	123	37	195	51	365
DL-R-5	285	123	57	210	58	405
DL-W-1	245	112	37	190	43	335
DL-W-3	260	123	37	195	51	365
DL-W-5	285	123	57	210	58	405

